



# Review 2



# Roview 2

AUTONOMY : 2  
HOURS

4K CAMERA  
1080P LIVE VIDEO  
FEEDBACK

LIGHTWEIGHT : 4KG

WIRELESS CONNECTION





FLOATS/ SAILS



WATERTIGHT HULL

DIMENSIONS: 37cm L.  
30cm W. 31cm H.

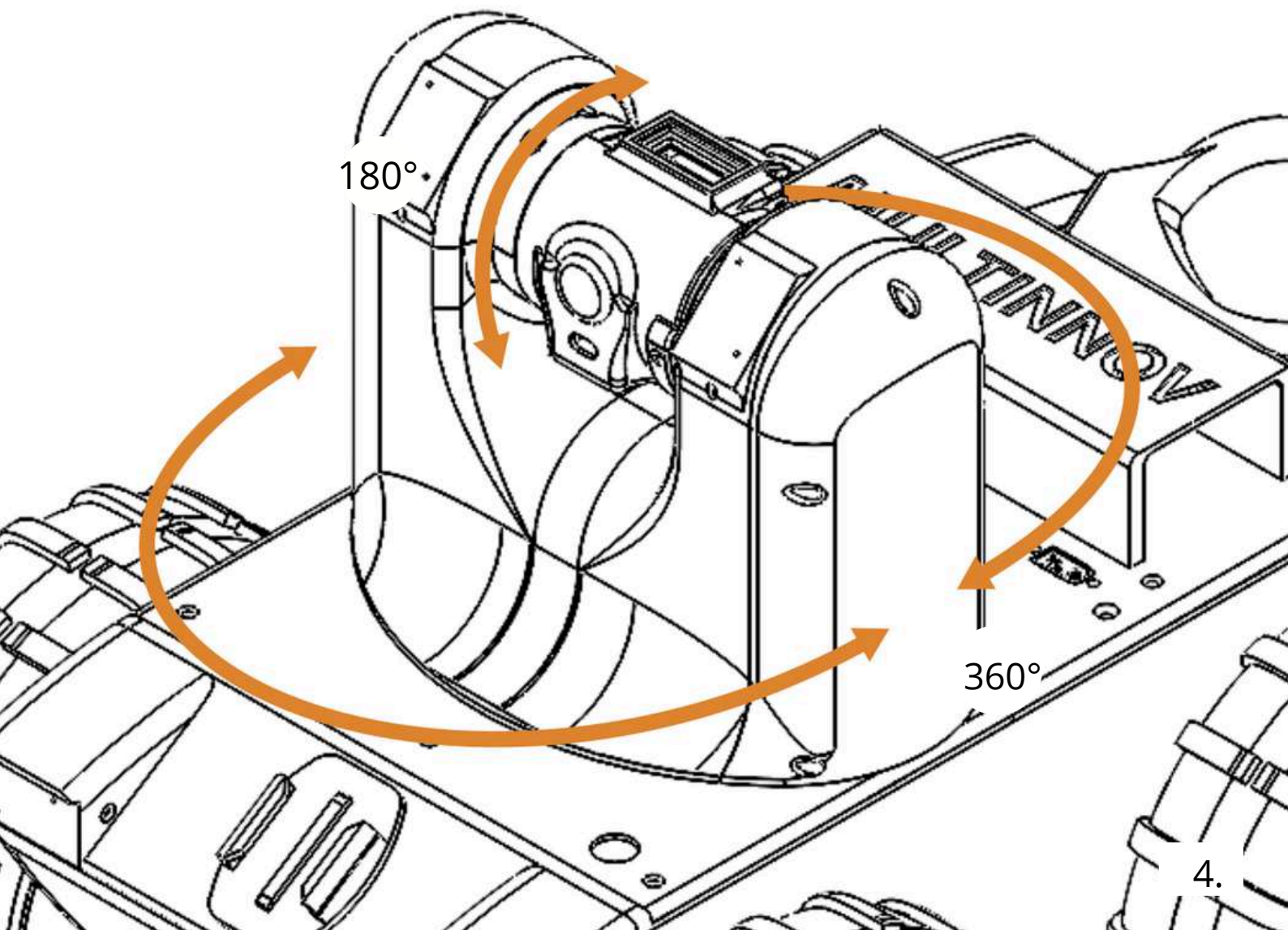


- Watertight hull : capable of operating on land and on water.
- Obstacle clearance : its weight/tyre area ratio allows it to cross all kinds of deposits.
- Autonomy : the on-board battery allows for 2 hours of travel with the Leds on or 8 hours standing still.

# Roview 2

## THE TURRET

The camera can be rotated 360° horizontally and 180° vertically, allowing you to inspect the entire environment surrounding the Roview2. Its HMI displays all the information required for ITV reports to the NF13508-2 standard.







**THE ROVIEW2, INVOLVED IN YOUR  
MOST CRITICAL INSPECTION**

# Roview2

## LIGHTING

Roview2 is equipped with 6 LED panels allowing it to operate in any dark environment.

## ATTACHMENT POINT

Its GoPro type attachment for various sensors, (gas sensor, location system) allow it to take the best quality data for your needs.







## DEFECT MEASUREMENT

- Telemetry.
- The crosshair is scaled so you can measure defects in real time on your video feedback.
- Measurement on the different points of interest dynamically during the inspection.

## MEASUREMENT OF TRAVELLED DISTANCE

The Roviev2 is fitted with encoded wheels to measure the linear distance travelled.

The distance increases as the device moves forwards and decreases as it reverse.

# RANGE EXTENDER

Able to move your transmitting and receiving point to the most convenient location for your operation. It improves your range in the most challenging environments. Driving the Roview2 underground to a depth of 10 metres is possible with the Range Extender.

## OPERATION OF THE RANGE EXTENDER



# Roview 2

## ON-BOARD ELECTRONICS



### **CAMERA**

4K 30 FPS camera

Automatic ISO setting Autofocus

Micro SD recording, FOV 16:9 sensor

160° 12MP

standard Lens - no distorsion



### **COMMUNICATION LINK**

2.4 GHz video band (ISM)

1080P video stream (FULL HD)

Intuitive touch screen

Direct view range : CE standard > 12km /

FCC standard > 20km



### **RADIOCOMMANDE**

2.4 GHz radio band (ISM)

Optional range extender

Telemetry

Long range radio

# Roview2

## SAFETY FEATURES OF THE ROVIEW

### REVERSE

At the click of a button, the Roview2 is capable of intuitive reversing, allowing it to easily drive in both directions through the pipes while keeping cohesive telemetry data for your inspection.

### STABLE MACHINE

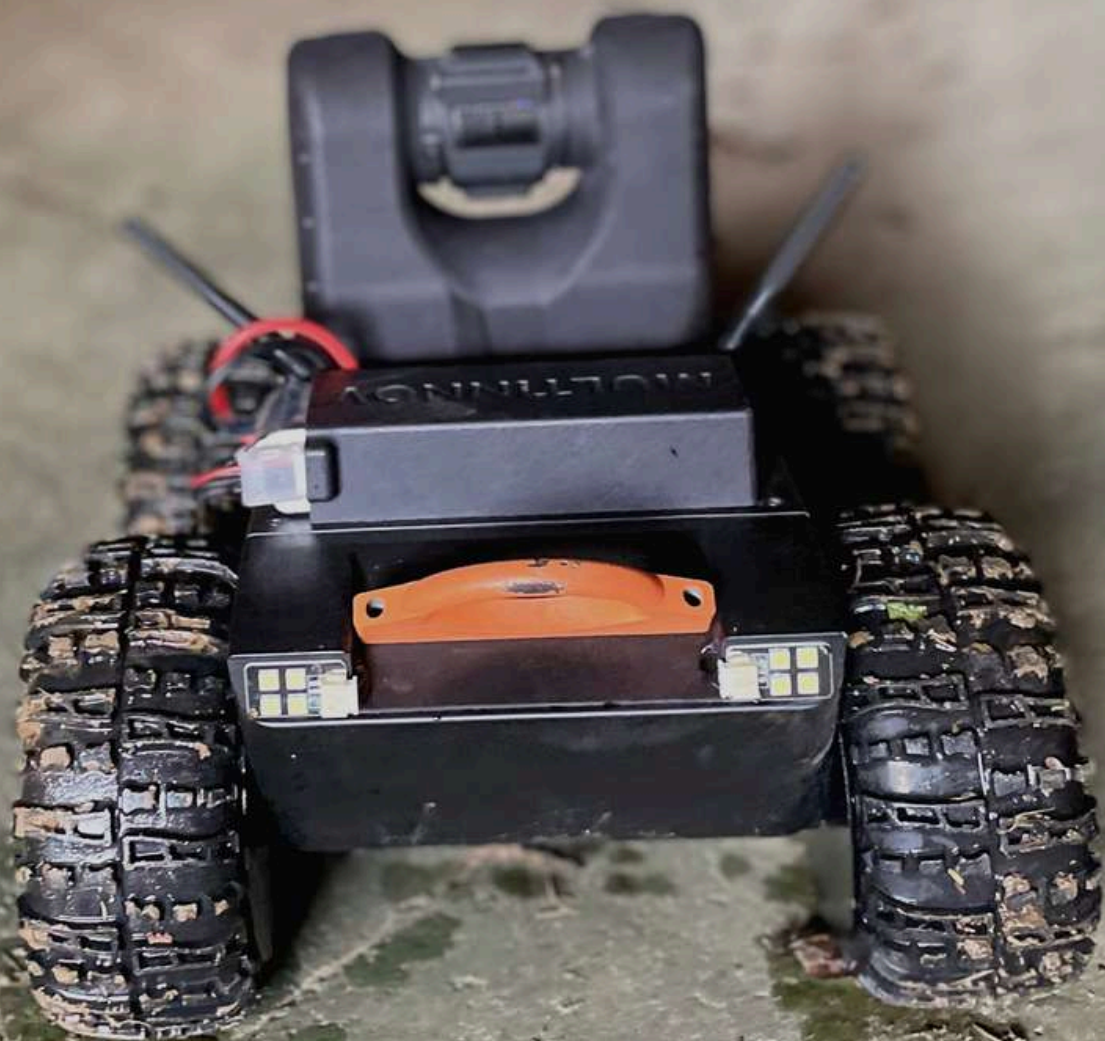
Naturally stable up to 45°. Its 30° rollover warning, telemetric feedback and stability allow for a safe and qualitative inspection.



---

# CONFINED SPACE, IT'S A DRONE WORK

---

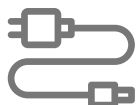


# ACCESSORIES

## BASIC PACKAGE



TRANSPORT CASE



FAST CHARGERS FOR BATTERIES AND RADIO



3 BATTERIES



RADIO CONTROL WITH DISPLAY



ROVIEW2

## OPTIONAL



ADDITIONAL SCREEN



ADDITIONAL BATTERY



RANGE EXTENDER



PETITES ROUES (INSPECTION 400MM)

# Roview 2



## TECHNICAL INFORMATION

# Roview2

## TECHNICAL INFORMATION

<b>CONFIGURATION</b>	Fixed wheels - differential turning
<b>ENGINES</b>	4 motors - 100 rpm
<b>AUTONOMY</b>	2h driving + Leds on - 5h Leds off - 8h standing still
<b>MASS</b>	4 kg - 8.8lbs
<b>DIMENSIONS</b>	37 / 30 / 31cm l.w.h 14 / 11 / 12"
<b>MATERIALS</b>	SLA resin (shell) - Nylon (other parts) - SLS
<b>OPERATING TEMPERATURES</b>	-20°C to +40°C -4°F to 104°F
<b>SECURITY</b>	Rollover warning from 30° onwards failsafe : vehicle stop
<b>OPERATING FREQUENCIES</b>	2400 to 2483 MHz
<b>CEM</b>	2.4ghz 20dbm (CE) 23dbm (FCC)





## TECHNICAL INFORMATION

**TOTAL POWER**

10 000 lumens

**POWER PER PANEL**

1666 lumens

**PROTECTION  
CLASS**

Splash and dust resistant camera  
watertight shell

# Roview 2

## CAMERA

<b>SENSOR</b>	4K, Sony IMX117 1/2.3 inch 12 MP
<b>VIDEO FORMAT</b>	MP4
<b>PHOTO FORMAT</b>	JPG
<b>MAX. VIDEO RECORDING RESOLUTION</b>	3840/2160 - 30 FPS (4k)
<b>VIDEO STREAMING RESOLUTION</b>	1920/1080 - 30 FPS (HD)
<b>PHOTO RESOLUTION</b>	3840/2160 (4K)
<b>FOV</b>	110° diagonal 90° horizontal
<b>LENS</b>	2.1mm - hard focus
<b>ISO</b>	Automatic management
<b>SAVING FILES</b>	CMicro SD card (onboard the drone) Class 10 minimum
<b>SD CARDS SUPPORTED</b>	32 - 64 Go (suggested capacities)
<b>SUPPORTED FORMAT</b>	FAT 32

## BATTERY

<b>CAPACITY</b>	5000mah
<b>TYPE</b>	LIPO
<b>RATED VOLTAGE</b>	14.8V (4S)
<b>ENERGY</b>	74 WH
<b>CHARGING TIME</b>	1 Hour (1C)
<b>WEIGHT</b>	480g - 1.05lbs
<b>OPERATING TEMPERATURES</b>	-20°C to 40°C -4°F to 104°F

# Review 2

## TECHNICAL SPECIFICATIONS



## RADIO & ACCESSORIES

# RADIOCOMMANDE

## OPERATING FREQUENCIES

2 400 to 2 483 MHz

## STANDARDS

CE/SRRC/FCC/MIC

## OPTIONAL STANDARDS

IN84 (CNPE -  
emissions <50mW)

## CEM

2.4ghz  
20dbm (CE)  
23dbm(FCC)

## RADIO LINK

Duplex

## SPAN IN FREE SPACE

12 km - 7.5 mi (CE)  
20 km - 12 mi (FCC)

## CONFINED SPACE RANGE

Up to 400m  
437yd

# Roview 2

## RADIOCOMMANDE

### RADIO DIMENSION

22 / 10,5 / 3,5 cm  
8,6 / 4 / 1.4 "  
(without antennas)

### SCREEN DIMENSIONS

5.46", 16 million colours  
touchscreen

### WIGHT

520g - 1.14lbs

### OPERATING TEMPERATURE

-20°C to +40°C  
-4°F to 104°F

### BATTERY

LiPo 4950 mAh  
USB Charging

### RECEPTION SENSITIVITY

-120 dBm

### ANTENNAS

1 Omnidirectional  
1 directional

## TRANSPORT CASE

### **DIMENSIONS**

67 / 50 / 38 cm  
26 / 20 / 15"

### **WEIGHT**

16 kg - 35 lbs  
(basic package)

### **COMPLIANCE**

Complies with  
IATA regulations

Size/weight  
compatible with checked  
luggage



## CONTACT

14 bis rue de l'Eglise  
76460 Néville, France



+33 (0)9 70 93 78 37



contact@multinnov.com



**We are present on social  
networks:**

@multinnov

